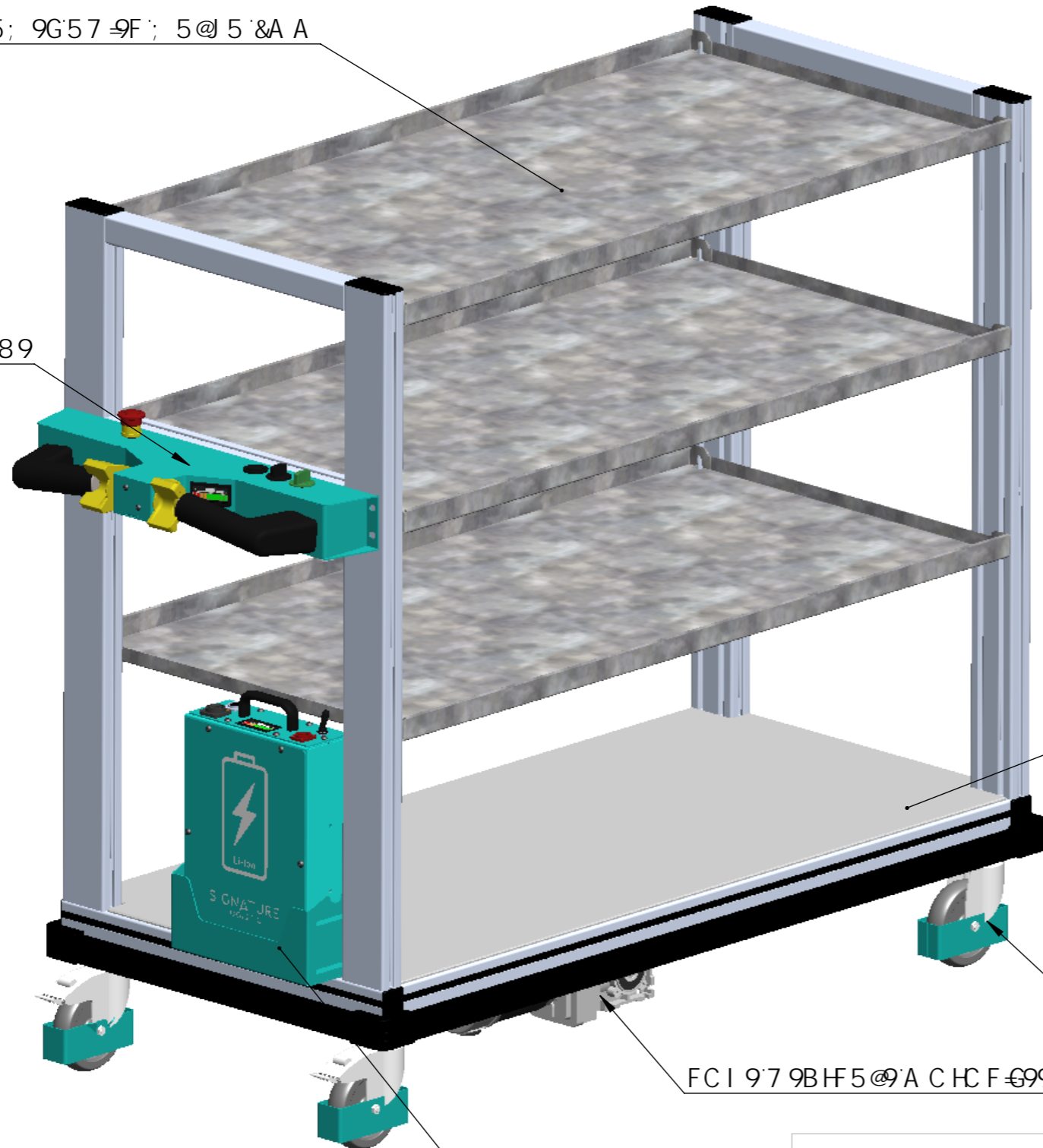


9H5; 9G57 9F; 5@ 5 &A A

DI D+F9'89'7CA A 5B89



DCI F'HC I H@B7 9A 9BH9B'DFC 8I 7HC BžA 9F7 =
89'BCI GF9'CI FB9F'7 9'8C 7I A 9BHG; B9'5DF9G'
J 9F ÷ ÷ 7 5HC B'89G-B: CFA 5HC BGDf9G9BH9G'
fV cYgžgcffjYgW V'U[Yž9ei]dYa Ybhgž'''Ł

85H9'.

G; B5H F9'.

7 cc fXcbbfYg69'a fWUbjei Y'G; B5H F9

A UJ'. VY"a YWU4 gj[bUhi fY!c []ghWwca
H'': \$('&, \$(('&%


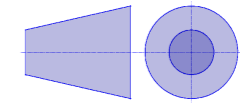
D@B7 <9F '9B'GF5H; 9'7 C A D57 H6@B7 ' &A A

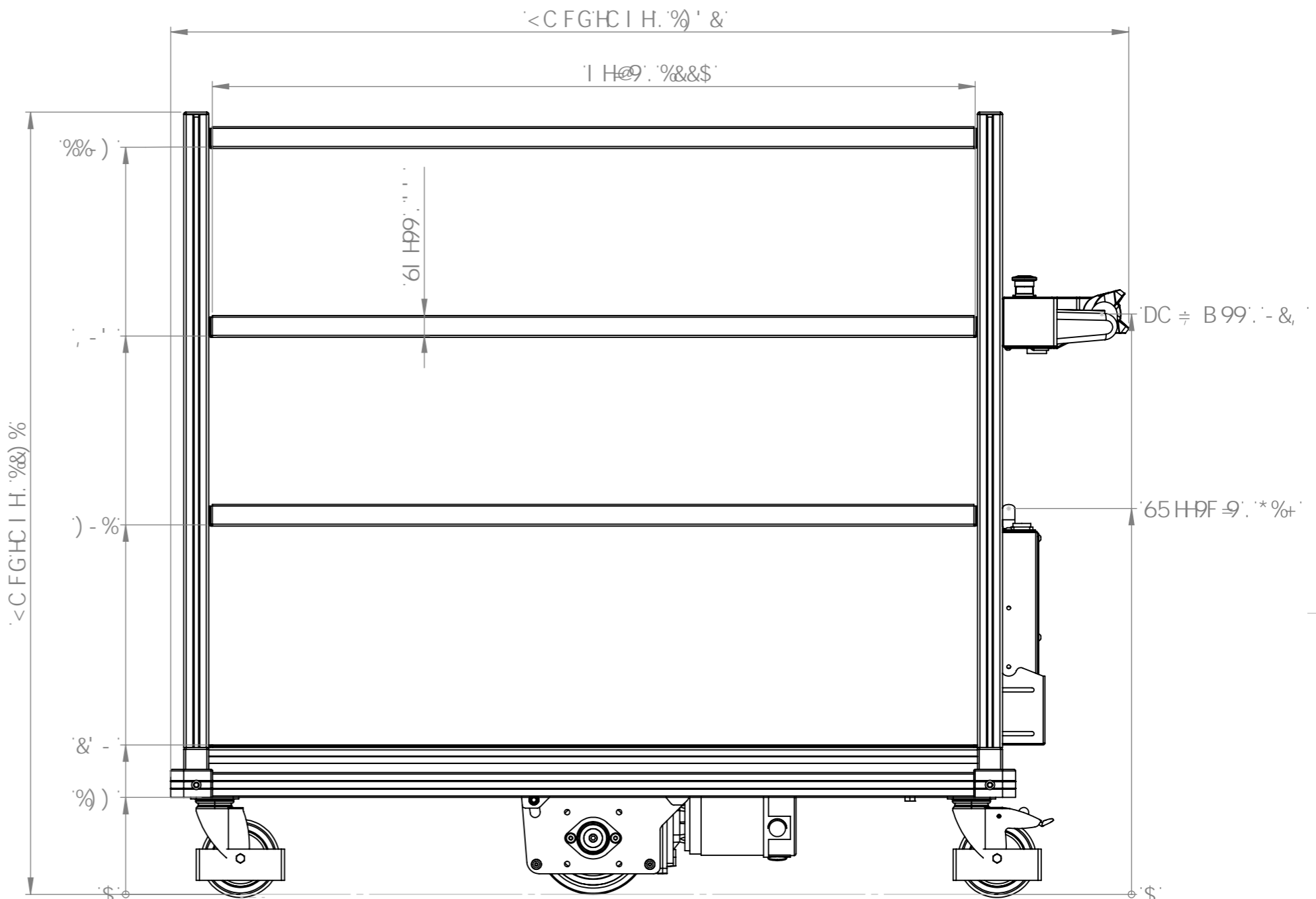
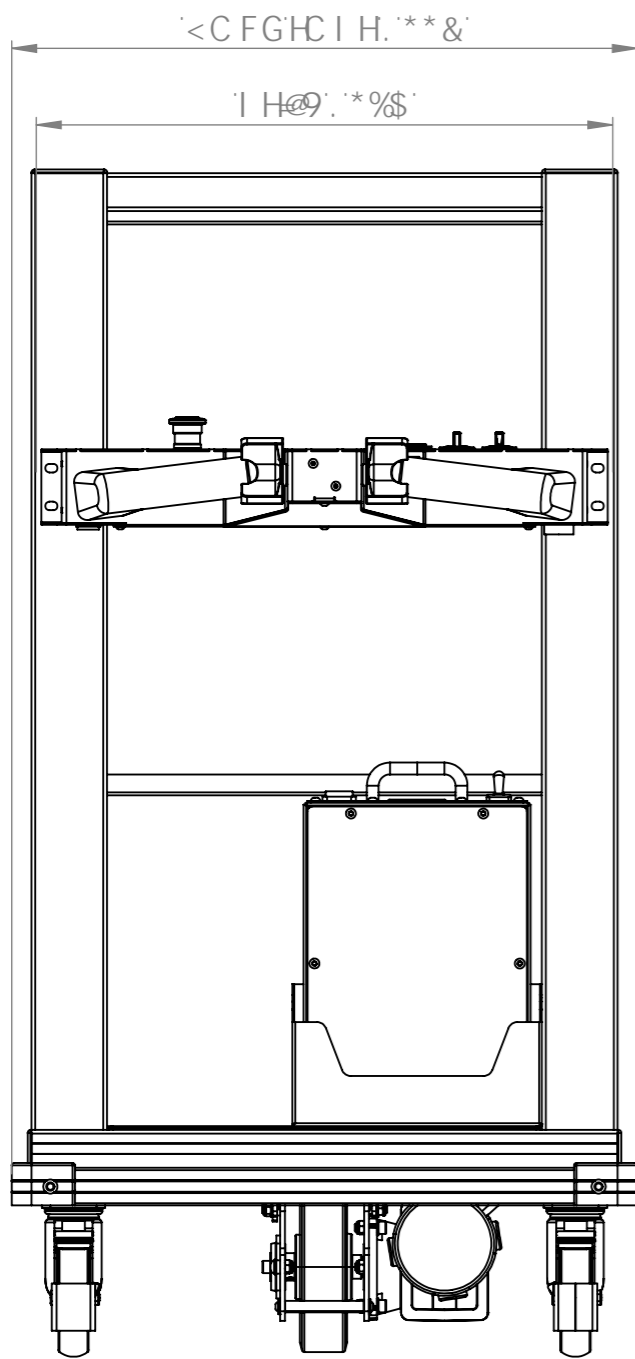
DFC H97 HC B'7 5C I H7 <C I 7

FCI 9G« %&) A A '!65B85; 9'DI '!D5F9'D-98
&'FCI 9G: C @9G: F9B99G
&'FCI 9G: C @9G

FCI 9'7 9BH5 @'A C HC F 699

6@ 7 '9B9F; 9

	7]Ybh. G; B5H F9		: cfa Uh.'5'
	A UggY Ygha fY'Yb'?[.!]		9W'. %,
	Hc'ffUbwWa Ybhg; fbfU'Yg'€C '&+', !a ?		E i Ubhjf. \$
7 ffY'Y'. \$&#%#&\$&'	\$S5 'hU]gShc `Y!7 <%J %"\$'J i Yg'Wc hfYg		
DUF. G; B5H F9	J ff]f'dUf. G; B5H F9		



	7 Ybh. G÷ B5H F9 A UggY Ygja fY Yb ?[. ! Hc f fU bW a Ybhg; f b fU Yg ÷ GC ' & * , ! a ?		: cfa Uh. '5'
	7 f f Y ' Y . \$ & # \$ % # & \$ & '		9W . % , E i Ub h j f . \$
DUF. G÷ B5H F9	J f f j f ' d U f . G ÷ B 5 H F 9		\$ S 5 ' h U] g S h c ' Y ! 7 < % J % \$ ' J i Y g ' W c h f Y g